

AU CATALOGUE

2025

Nexans Cable Management

Cable Clamps & Cleats for LV/MV/HV

 Nexans



SUMMARY

01. About us	4
02. Polyamide - Cable Clamps	5
03. Stainless Steel - Cable Clamps	12

About us

Cable Clamps & Cleats

Nexans offer a range in polyamide clamps and stainless-steel cleats suitable for single and trefoil cables and offer advice and recommendations on applications and mounting fixtures.

Cable clamps and cleats play a crucial role in securing electrical cables across **high voltage (HV), medium voltage (MV), and low voltage (LV) applications**. Their primary function is to **prevent excessive movement, reduce mechanical stress, and protect cables from damage**, ensuring the reliability and safety of electrical installations. Proper cable management is essential to **mitigate risks associated with short circuits, environmental hazards, and mechanical wear**.

By leveraging Nexans' expertise in cables & power accessories & cable management, businesses can ensure safe, efficient, and reliable end-to-end cable installations across diverse industries.

Applications

Cable clamps and cleats are widely used in **industrial, commercial, and infrastructure projects**, including:

- Power transmission and distribution networks
- Substations and switchgear installations
- Renewable energy projects (solar, wind & (BESS) battery energy storage systems)
- Railway and transportation systems
- Oil, gas, and mining industries
- Data Centres

Benefits

Their benefits include:

- Enhanced cable stability to prevent movement during electrical faults
- Protection against mechanical damage and environmental factors
- Compliance with safety standards such as IEC 61914
- Improved cable lifespan by reducing wear and tear



Polyamide Cable Clamps

Model FOX-SI (Single)



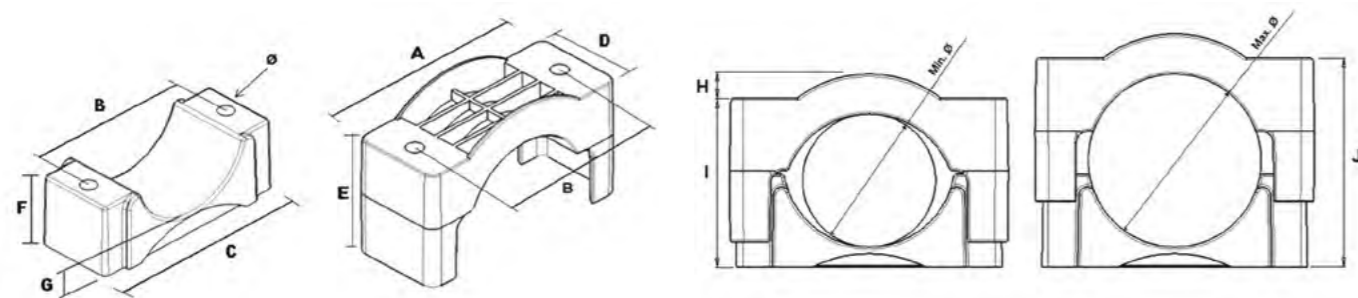
Mounting fixtures not included

Short circuit proof Installation of one (1) single- or multi-conductor cable or tube

FEATURES/ INFORMATION

- Temperature range: -40 to 120° C (225°C) momentarily
- Classification: Burning: S3; Smoke: SR2; Dripping: ST-2
- Flame resistance: UL94 V-0 class 3, Halogen-free
- Resistance: Oils, Radio activity, Salt water, Ozone, Fuels, Alkalis, UV rays
- Mounting torque: max. 5-8 Nm
- Mechanical strength: up to 90,000 N
- All models SI stackable (FOX-SI Ø 130-170 excluded)
- Certified: according NEN-EN-IEC 61914: 2016

Type	Cable Ø (mm)	Single clamp/Part number	Nexans Material No.	Availability
FOX-SI Ø 15-24	15 - 24	2001-4-015-024	20763631	ANZ Stock Item
FOX-SI Ø 24-38	24 - 38	2001-4-024-038	20763654	ANZ Stock Item
FOX-SI Ø 36-52	36 - 52	2001-4-036-052	20763655	ANZ Stock Item
FOX-SI Ø 50-75	50 - 75	2001-4-050-075	20763656	ANZ Stock Item
FOX-SI Ø 75-100	75 - 100	2001-4-075-100	20763657	ANZ Stock Item
FOX-SI Ø 100-130	100 - 130	2001-4-100-130	20763658	ANZ Stock Item
FOX-SI Ø 130-170	130 - 170	2001-4-130-170	20763659	Made To Order



Model	Cable Ø	A	B	C	D	E	F	G	H	I	J	Ø
FOX-SI Ø 15-24	15-24 mm	84,00	54,00	78,00	44,00	38,00	20,00	12,00	6,00	38,00	47,00	10,50
FOX-SI Ø 24-38	24-38 mm	92,00	60,00	85,00	55,00	44,00	22,00	10,00	7,00	44,00	58,00	12,50
FOX-SI Ø 36-52	36-52 mm	108,00	78,00	101,00	60,00	52,00	25,00	9,00	7,00	52,00	68,00	12,50
FOX-SI Ø 50-75	50-75 mm	130,00	100,00	122,00	60,00	67,00	40,00	12,00	8,00	68,00	95,00	12,50
FOX-SI Ø 75-100	75-100 mm	168,00	132,00	161,00	67,00	94,00	60,00	20,00	13,00	103,00	130,00	12,50
FOX-SI Ø 100-130	100-130 mm	208,00	166,00	200,00	67,00	108,00	70,00	15,00	10,00	123,00	154,00	12,50
FOX-SI Ø 130-170	130-170 mm	274,00	220,00	265,00	90,00	140,00	95,00	22,00	43,00	154,00	205,00	17,00

Model FOX-TRI (Triple)



Mounting fixtures not included

Short circuit proof Installation of three (3) single- or multi-conductor cables or tubes

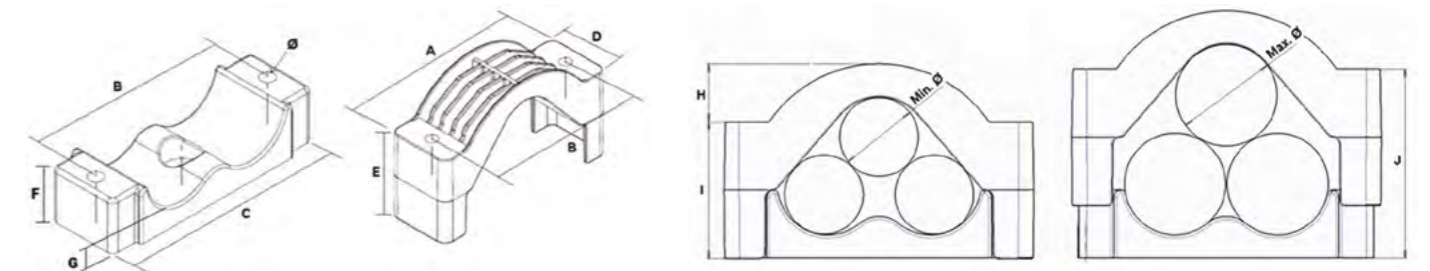
FEATURES/ INFORMATION

- Material: black Polyamide, Fibreglass-Reinforced
- Temperature range: -40 to 120° C (225°C) momentarily
- Classification: Burning: S3; Smoke: SR2; Dripping: ST-2
- Flame resistance: UL94 V-0 class 3, Halogen-free
- Resistance: Oils, Radio activity, Salt water, Ozone, Fuels, Alkalis, UV rays
- Mounting torque: max. 5-8 Nm
- Mechanical strength: up to 85,000 N
- Models FOX-TRI Ø 26-39 and 39-54 are stackable
- Certified: according NEN-EN-IEC 61914: 2016

Type	Cable Ø (mm)	Triple Clamp/Part number	Nexans Material No.	Availability
FOX-TRI Ø 26-39	26 - 39	2001-3-026-039	20763660	ANZ Stock Item
FOX-TRI Ø 39-54	39 - 54	2001-3-039-054	20763661	ANZ Stock Item
FOX-TRI Ø 53-67	53 - 67	2001-3-053-067	20763662	ANZ Stock Item
FOX-TRI Ø 67-90	67 - 90	2001-3-067-090	20763663	Made To Order
FOX-TRI Ø 90-118	90 - 118	2001-3-090-118	20763664	Made To Order
FOX-TRI Ø 118-150	118 - 150	2001-3-118-150	20763665	Made To Order

Type	Cable Ø (mm)	Triple Clamp/Part number	Nexans Material No.
CABLE INSERT PART	FOX-TRI Ø 23-26	2001-3-026-039	20763634

Used with * FOX-TRI Ø 26-39



Model	Cable Ø	A	B	C	D	E	F	G	H	I	J	Ø
FOX-TRI Ø 26-39	23-39 mm	140,00	108,00	131,00	58,00	70,00	35,00	12,00	10,00	70,00	95,00	12,50
FOX-TRI Ø 39-54	39-54 mm	170,00	140,00	161,00	60,00	95,00	40,00	16,50	15,00	95,00	129,00	12,50
FOX-TRI Ø 53-67	53-67 mm	205,00	168,00	195,00	70,00	90,50	44,00	15,00	38,00	90,50	125,00	12,50
FOX-TRI Ø 67-90	67-90 mm	256,00	215,00	244,00	85,00	144,00	71,50	41,50	41,80	144,00	199,50	17,00
FOX-TRI Ø 90-118	90-118 mm	321,00	270,00	307,00	90,00	180,00	88,50	44,50	53,20	180,00	246,40	17,00
FOX-TRI Ø 118-150	118-150 mm	400,00	340,00	384,00	100,00	211,00	109,50	49,50	95,40	211,00	285,90	17,00

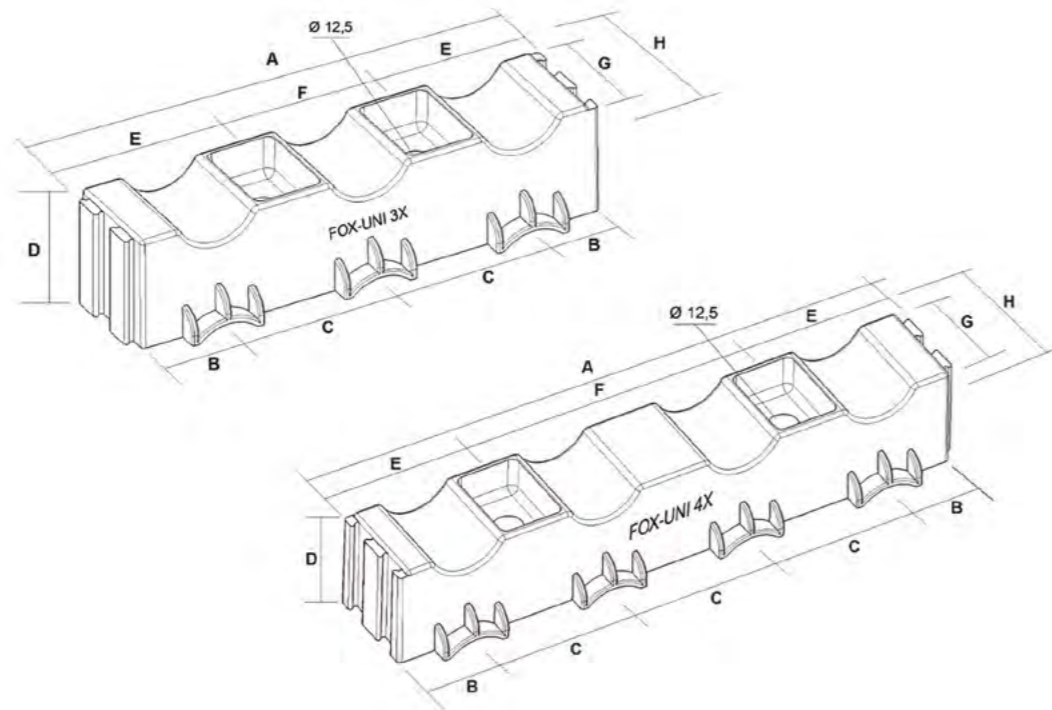
Block Model FOX-UNI (Universal)



Installation of single or multi-conductor cables/tubes Ø 15-49 mm

FEATURES/ INFORMATION

- Material: black Polyamide, Fibreglass-Reinforced
- Temperature range: -40 to 120° C (225°C) momentarily
- Classification: Burning: S3; Smoke: SR2; Dripping: ST-2
- Flame resistance: UL94 V-0 class 3, Halogen-free
- Resistance: Oils, Radio activity, Salt water, Ozone, Fuels, Alkalis, UV rays
- Mounting torque: max. 5-8 Nm
- Connectable by means of a double dovetail joint
- Mechanical strength: up to 54,000 N
- Certified: according NEN-EN-IEC 61914: 2016
- **ANZ Stock Items**



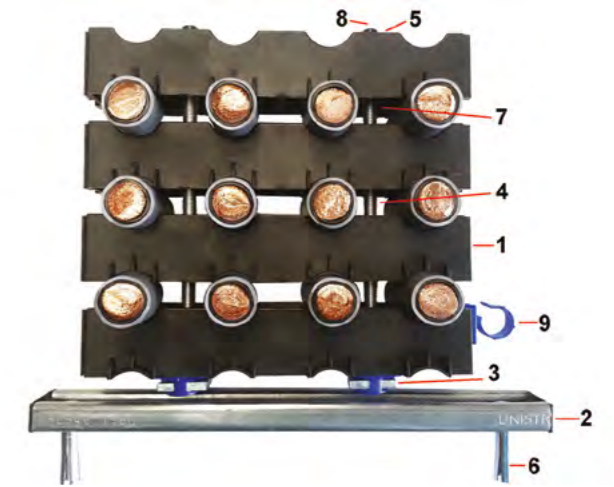
Unit of measure is for one half

Model	Part number	A	B	C	D	E	F	G	H	Ø	Nexans Material No.
FOX-UNI 3X Ø 15-34	2002-3-015-034	196	32	64	45	64	64	44	60	12,5	20763666
FOX-UNI 4X Ø 15-34	2002-4-015-034	260	32	64	45	64	128	44	60	12,5	20763667
FOX-UNI 3X Ø 30-49	2002-3-030-049	265	43,5	87	63	87	87	44	60	12,5	20763668
FOX-UNI 4X Ø 30-49	2002-4-030-049	352	43,5	87	63	87	174	44	60	12,5	20763669

The set consists of:

1. FOX-UNI 0 15-34 / 30-49 Cable Block
2. Unistrut (41x21mm) channel L=350-450 mm
3. Kwikstrut channel nut
4. Threaded rods on length/rod connectors
5. Nuts and washers
6. Nail plug set (incl. washers and bolts)
7. At multiple layers, we use rod connectors for fast and easy installation. Also for later expansion.
8. Protective cap for threaded rods
9. Optional: AD 0 19-25 clamp for extra cable/tube.

2 through 7 made of high-quality Galvanised Steel, optionally: Hot-Dip Galvanised Steel, or Stainless Steel. Packed separately, per type. Non-conformities and combinations reserved.



Below you will find an overview of the standard available sets.

We are also able to supply sets in different compositions e.g. horizontally coupled. Have a look at www.fox-clamps.com

- Made to Order

Example picture: 2 layers of 8 cables each



FOX-UNI 3X			
Layers	Cables	Ø	Part number
1	3	15 - 20 mm	2006-1-015-020
		21 - 34 mm	2006-1-021-034
		30 - 40 mm	2004-1-030-040
		41 - 49 mm	2004-1-041-049
2	6	15 - 20 mm	2006-2-015-020
		21 - 34 mm	2006-2-021-034
		30 - 40 mm	2004-2-030-040
		41 - 49 mm	2004-2-041-049
3	9	15 - 20 mm	2007-1-015-020
		21 - 34 mm	2007-1-021-034
		30 - 40 mm	2008-1-030-040
		41 - 49 mm	2008-1-041-049
4	12	15 - 20 mm	2007-2-015-020
		21 - 34 mm	2007-2-021-034
		30 - 40 mm	2008-2-030-040
		41 - 49 mm	2008-2-041-049
5	15	15 - 20 mm	2006-5-015-020
		21 - 34 mm	2006-5-021-034
		30 - 40 mm	2004-5-030-040
		41 - 49 mm	2004-5-041-049

FOX-UNI 4X			
Layers	Cables	Ø	Part number
1	4	15 - 20 mm	2007-1-015-020
		21 - 34 mm	2007-1-021-034
		30 - 40 mm	2008-1-030-040
2	8	15 - 20 mm	2007-2-015-020
		21 - 34 mm	2007-2-021-034
		30 - 40 mm	2008-2-030-040
3	12	15 - 20 mm	2007-1-015-020
		21 - 34 mm	2007-1-021-034
		30 - 40 mm	2008-1-030-040
4	16	15 - 20 mm	2007-2-015-020
		21 - 34 mm	2007-2-021-034
		30 - 40 mm	2008-2-030-040
5	20	15 - 20 mm	2007-5-015-020
		21 - 34 mm	2007-5-021-034
		30 - 40 mm	2008-5-030-040
5	15	30 - 40 mm	2008-5-030-040
		41 - 49 mm	2008-5-041-049

** Specials available: for example sets - 6 cables, 7, 8 cables or multiple of these next to each other.

Recommended Mounting Fixtures

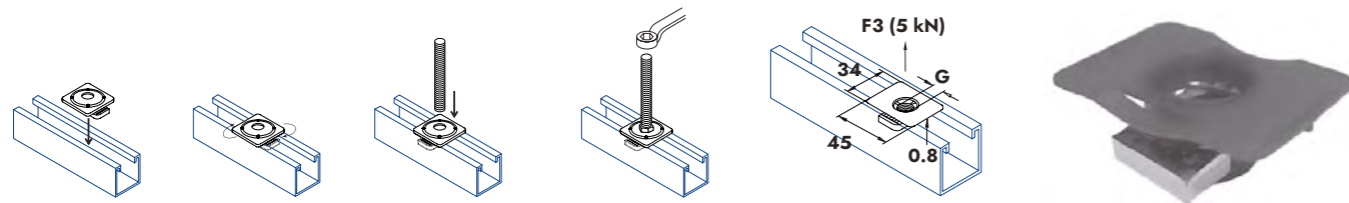


Model/ Description	Hex Bolt*	Threaded Rod*
FOX-SI Ø 15-24 CABLE CLAMP; MOUNTING 1 CABLE/TUBE Ø 15-24MM	M10 X 80 MM	M10 X 100 MM
FOX-SI Ø 24-38 CABLE CLAMP; MOUNTING 1 CABLE/TUBE Ø 24-38MM	M10 X 80 MM	M10 X 100 MM
FOX-SI Ø 36-52 CABLE CLAMP; MOUNTING 1 CABLE/TUBE Ø 36-52MM	M10 X 100 MM	M10 X 100 MM
FOX-SI Ø 50-75 CABLE CLAMP; MOUNTING 1 CABLE/TUBE Ø 50-75MM	M10 X 120 MM	M12 X 120 MM
FOX-SI Ø 75-100 CABLE CLAMP; MOUNTING 1 CABLE/TUBE Ø 75-100MM	M12 X 150 MM	M12 X 160 MM
FOX-SI Ø 100-130 CABLE CLAMP; MOUNTING 1 CABLE/TUBE Ø 100-130MM	M12 X 190 MM	M12 X 120 MM
FOX-SI Ø 130-170 CABLE CLAMP; MOUNTING 1 CABLE/TUBE Ø 130-170MM	M16 X 235 MM	M16 X 245 MM
FOX-TRI Ø 26-39 CABLE CLAMP; MOUNTING 3 CABLES/TUBES Ø 26-39MM	M12 X 120 MM	M12 X 120 MM
FOX-TRI Ø 39-54 CABLE CLAMP; MOUNTING 3 CABLES/TUBES Ø 39-54MM	M12 X 150 MM	M12 X 160 MM
FOX-TRI Ø 53-67 CABLE CLAMP; MOUNTING 3 CABLES/TUBES Ø 53-67MM	M12 X 160 MM	M12 X 160 MM
FOX-TRI Ø 67-90 CABLE CLAMP; MOUNTING 3 CABLES/TUBES Ø 67-90MM	M16 X 245 MM	M16 X 245 MM
FOX-TRI Ø 90-118 CABLE CLAMP; MOUNTING 3 CABLES/TUBES Ø 90-118MM	M16 X 270 MM	M16 X 290 MM
FOX-TRI Ø 118-150 CABLE CLAMP; MOUNTING 3 CABLES/TUBES Ø 118-150MM	M16 X 310 MM	M16 X 330 MM
FOX-UNI 3X Ø 15-34; MOUNTING 3 CABLES/TUBES Ø 15-34MM	M10 X 120 MM	M10 X 120 MM
FOX-UNI 4X Ø 15-34; MOUNTING 4 CABLES/TUBES Ø 15-34MM	M10 X 120 MM	M10 X 120 MM
FOX-UNI 3X Ø 30-49; MOUNTING 3 CABLES/TUBES Ø 30-49MM	M12 X 160 MM	M12 X 160 MM
FOX-UNI 4X Ø 30-49; MOUNTING 4 CABLES/TUBES Ø 30-49MM	M12 X 160 MM	M12 X 160 MM

NOTE: FOX-UNI Based on one layer of cables
 THREADED ROD SET M10 X 120 MM; FOX-UNI 3+4x Ø 15-34 one layer (add 60 mm to every extra layer)
 THREADED ROD SET M12 X 165 MM; FOX-UNI 3+4x Ø 30-49 one layer (add 80 mm to every extra layer)

*Recommended Ø and Length

Material Description	Nexans Material No.
FOX-THREAD PROTECTOR END CAP 10x16 BLACK PVC	20764850
FOX-THREAD PROTECTOR END CAP 12x16 BLACK PVC	20764851



QCN Channel Nut [SS/HG]

Material Description	Nexans Material No.
FOX-KWIKSTRUT CHANNELNUT M10 HD GAL WITH PLASTIC LOCATOR	20763672
FOX-KWIKSTRUT CHANNELNUT M10 SS WITH PLASTIC LOCATOR	20763674
FOX-KWIKSTRUT CHANNELNUT M12 HD GAL WITH PLASTIC LOCATOR	20763673
FOX-KWIKSTRUT CHANNELNUT M12 SS WITH PLASTIC LOCATOR	20763675

Stainless Steel Cable Cleats

CABLE SUPPORTING AND RETAINING SOLUTIONS

Stainless Steel Cable Cleats

Cable cleats are perfect for use within industrial and hazardous areas, as well as specialist applications such as oil and gas, shipbuilding, petrochemical, railway and underground, etc.



01 KNOW THE CABLES

- Which type of cable is being used, Single or Multi-Conductor?
- What is the outer diameter of Cables?
- What is the available short circuit current (RMS or IP Peak) of the cable?
- If a ground wire is installed in the cleats, know the outer Diameter of the ground wire.

02 KNOW THE SYSTEM

- What is the cable formation, Single or Trefoil?
- What type of the cable tray is installed?

Electrical and mechanical characteristics

- Cleat Material: Composite
- Frame: 50mm x 2.1mm, marine Grade, non-magnetic 316L
- Closure Hardware: Stainless steel 316L, M10 bolt and nylon lock nut
- Integral Pad: Low smoke, low fume, halogen free
- Mounting Bolt: Provided with the cable cleat
- Tools Required: Wrench
- All models SI stackable (FOX-SI Ø 130-170 excluded)
- Certified: according NEN-EN-IEC 61914: 2016

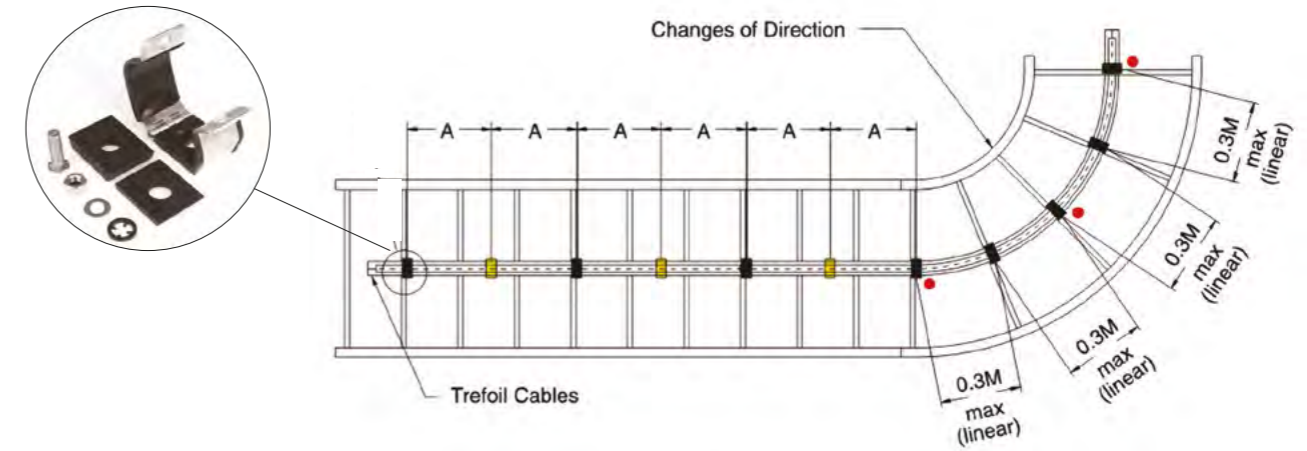
Performance on the Cable Cleats IEC 61914:2015

- Resistance to Electromechanical Force: Tested cable outer diameter: 35mm
 - 180kA (peak) 300mm spacing
 - 125kA (peak) 600mm spacing
- Max and Min Temperature: -40°C~ 120°C
- Lateral Load Test: Average 25kg
- Axial Load Test: Pass
- Needle Flame Test Resistance to Impact 30 seconds
- Resistant to UV light Test: 1000 hours
- Resistance to Impact: Very heavy

PROTECTION AGAINST HARSH CONDITIONS AND HIGH SHORT-CIRCUIT CURRENTS

- ✓ Approved by DNV (Det Norske Veritas) and ABS (American Bureau of Shipping)
- ✓ Support and retain the cables and conductors within the cable tray system
- ✓ Prevent damage in short-circuit condition
- ✓ Reduce the mechanical load exerted to the cable and conductors in every conditions
- ✓ Designed for use within industrial and hazardous areas, as well as specialist applications
- ✓ Maximum operating temperature of 120° C

03 DETERMINE THE CLEAT SPACE FOR INSTALLATION

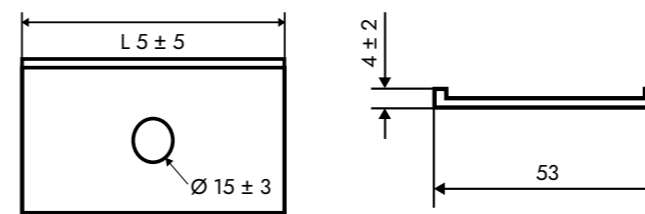


Max. Cable Spacing (A)	Spacing Between Conductor Centers (mm)																				
	23	25	27	29	31	33	35	37	39	41	43	45	47	49	51	53	55	57	59	61	
mm	inch	IP peak (KA)																			
300	11.81	145	152	158	163	169	174	180	185	190	194	197	204	208	212	217	221	225	229	233	237
600	23.62	103	107	111	115	119	123	125	130	134	137	139	144	147	150	153	156	159	162	165	168
900	35.43	84	87	91	94	97	100	103	106	109	112	113	117	120	122	125	127	130	132	134	137
1200	47.24	72	76	79	81	84	87	90	92	95	97	98	102	104	106	108	110	112	114	116	118

Isolation Pad to suit Stainless Steel Cable Cleats

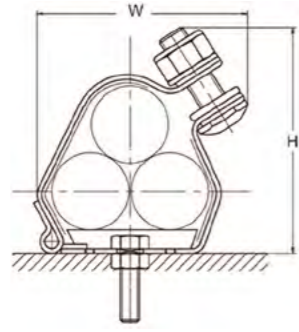


No.	Item No.	Length (L)	Single cleats size		Trefoil cleats size	
			min	max	min	max
01	NFIP01	80	FF-S2832	FF-S5660	FF-T1323	FF-T2125
02	NFIP02	100	FF-S5862	FF-S7882	FF-T2329	FF-T3541
03	NFIP03	130	FF-S8054	FF-S9094	FF-T3844	FF-T5763
04	NFIP04	160	FF-S94118	FF-S118130	FF-T5965	FF-T7581
05	NFIP05	200	N/A		FF-T7783	FF-T96103
06	NFIP06	250	N/A		FF-T103111	FF-T119128

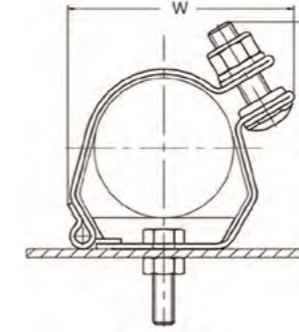


1. Low Smoke, Zero Halogen and Flame Retardant.
2. Material: Polyolefin.
3. Dimension in Millimetres Isolation pads are used in fixing stainless steel cable cleats primarily to prevent galvanic corrosion.

Trefoil



Single



Product Code	Cable Range		Dimensions		Bolt	Optional Isolation Pads
	Min. Diameter	Max. Diameter	H	W		
	mm	mm	mm	mm		
FF-T1323	13	23	73	68	M10	NFIP01
FF-T2125	21	25	75	72	M10	NFIP01
FF-T2329	23	29	80	79	M10	NFIP02
FF-T2531	25	31	83	82	M10	NFIP02
FF-T2733	27	33	84	85	M10	NFIP02
FF-T2935	29	35	89	90	M10	NFIP02
FF-T3238	32	38	92	96	M10	NFIP02
FF-T3541	35	41	98	100	M10	NFIP02
FF-T3844	38	44	100	106	M10	NFIP03
FF-T4248	42	48	104	113	M10	NFIP03
FF-T4551	45	51	107	120	M10	NFIP03
FF-T4753	47	53	110	122	M10	NFIP03
FF-T4955	49	55	113	125	M10	NFIP03
FF-T5157	51	57	115	127	M10	NFIP03
FF-T5359	53	59	118	135	M10	NFIP03
FF-T5561	55	61	122	138	M10	NFIP03
FF-T5763	57	63	125	141	M10	NFIP03
FF-T5965	59	65	126	145	M10	NFIP04
FF-T6167	61	67	131	148	M10	NFIP04
FF-T6369	63	69	134	153	M10	NFIP04
FF-T6571	65	71	139	155	M10	NFIP04
FF-T6773	67	73	143	156	M10	NFIP04
FF-T6975	69	75	146	161	M10	NFIP04
FF-T7177	71	77	150	164	M10	NFIP04
FF-T7379	73	79	154	166	M10	NFIP04
FF-T7581	75	81	157	170	M10	NFIP04
FF-T7783	77	83	160	174	M10	NFIP05
FF-T7985	79	85	162	178	M10	NFIP05
FF-T8187	81	87	168	181	M10	NFIP05
FF-T8389	83	89	172	185	M10	NFIP05
FF-T8896	88	96	180	195	M10	NFIP05
FF-T96103	96	103	189	203	M10	NFIP05
FF-T103111	103	111	198	206	M10	NFIP06
FF-T111119	111	119	207	215	M10	NFIP06
FF-T119128	119	128	216	223	M10	NFIP06

- Actual products may vary due to product enhancement.

Product Code	Cable Range		Dimensions		Bolt	Optional Isolation Pads
	Min. Diameter	Max. Diameter	H	W		
	mm	mm	mm	mm		
FF-S2832	28	32	60	57	M10	NFIP01
FF-S3034	30	34	61	59	M10	NFIP01
FF-S3236	32	36	63	61	M10	NFIP01
FF-S3438	34	38	65	63	M10	NFIP01
FF-S3640	36	40	67	64	M10	NFIP01
FF-S3842	38	42	69	65	M10	NFIP01
FF-S4044	40	44	70	68	M10	NFIP01
FF-S4246	42	46	71	69	M10	NFIP01
FF-S4448	44	48	73	72	M10	NFIP01
FF-S4650	46	50	74	73	M10	NFIP01
FF-S4852	48	52	75	77	M10	NFIP01
FF-S5054	50	54	78	78	M10	NFIP01
FF-S5256	52	56	79	80	M10	NFIP01
FF-S5458	54	58	80	82	M10	NFIP01
FF-S5660	56	60	81	85	M10	NFIP01
FF-S5862	58	62	82	87	M10	NFIP02
FF-S6064	60	64	85	88	M10	NFIP02
FF-S6266	62	66	87	90	M10	NFIP02
FF-S6468	64	68	89	91	M10	NFIP02
FF-S6670	66	70	90	92	M10	NFIP02
FF-S6872	68	72	92	94	M10	NFIP02
FF-S7074	70	74	95	97	M10	NFIP02
FF-S7276	72	76	97	99	M10	NFIP02
FF-S7478	74	78	98	102	M10	NFIP02
FF-S7680	76	80	100	104	M10	NFIP02
FF-S7882	78	82	102	106	M10	NFIP02
FF-S8084	80	84	105	107	M10	NFIP03
FF-S8286	82	86	107	110	M10	NFIP03
FF-S8488	84	88	109	111	M10	NFIP03
FF-S8690	86	90	110	113	M10	NFIP03
FF-S9094	90	94	115	121	M10	NFIP03
FF-S94118	94	118	133	139	M10	NFIP04
FF-S118130	118	130	140	144	M10	NFIP04

- Actual products may vary due to product enhancement.

NEXANS CABLE MANAGEMENT

**WE DELIVER THE BEST SOLUTIONS
TO SUPPORT YOUR PROJECT NEEDS**

NEXANS AUSTRALIA

8/130 Lonsdale Street
Melbourne Vic 3000
Australia
Tel: +61 1300 222 537
E-mail: manager.offer@nexans.com



nexans.com.au

