

UJC-S

Underground Junction Chamber

CATALOGUE 2020



UJC-S

UNDERGROUND JUNCTION CHAMBER



APPLICATION

For onshore renewable power parks, the underground junction chamber will be used as a connecting point for cable-jointing and branching applications.

BENEFITS

- The chamber is specifically designed to be installed in underground conditions.
- Reduction of land footprint.
- Joining/branching cables with different cross-sections.
- High reliability of installation.
- Good test and demarcation point.
- Caters for installation of monitoring equipment.

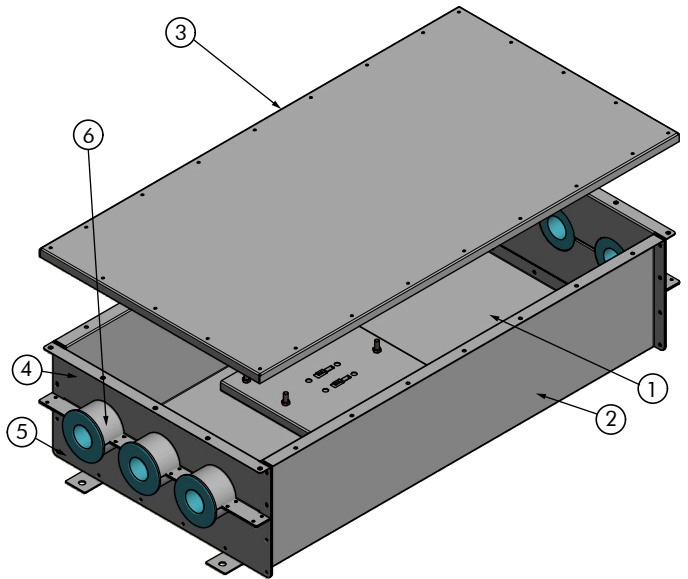
DESIGN

Underground junction chamber is of a burial type and consists of:

1. Base.
2. Sides
3. Lid.
4. Cable gland plate upper.
5. Cable gland plate lower.
6. Cable glands arrangement, consists of 6* single core cables with outer cable diameter range of 26 to 98 mm.

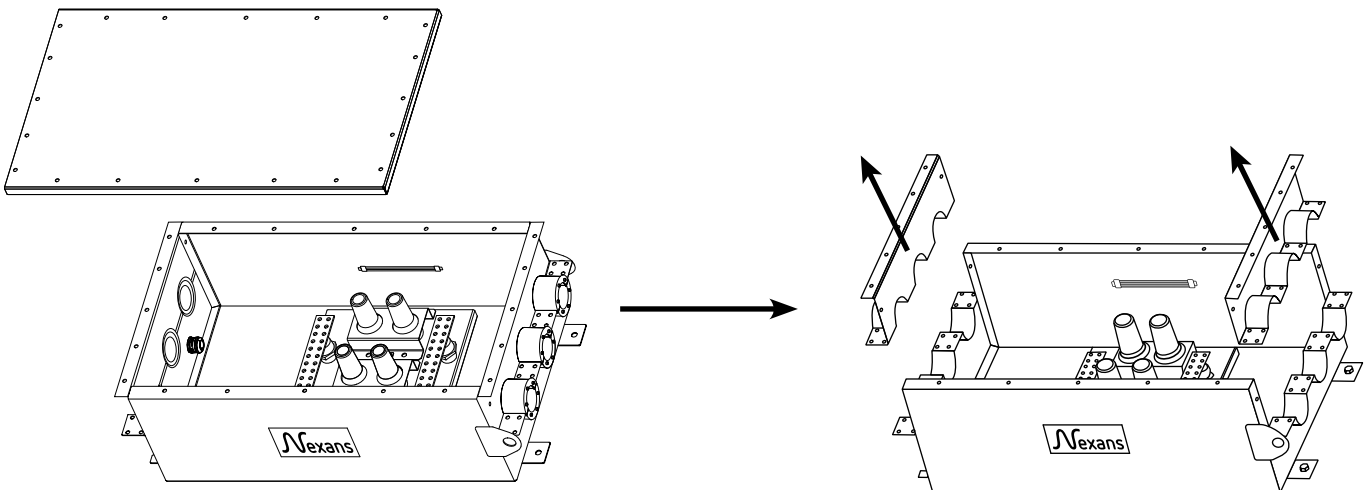
TECHNICAL CHARACTERISTICS

- Burial type 316 stainless steel housing.
- Robust design with IP68 degree of protection (IEC60529/AS60529).
- Suitable for voltages up to 42 kV, 1250 Amps
- Suitable for cables up to 1200 mm²



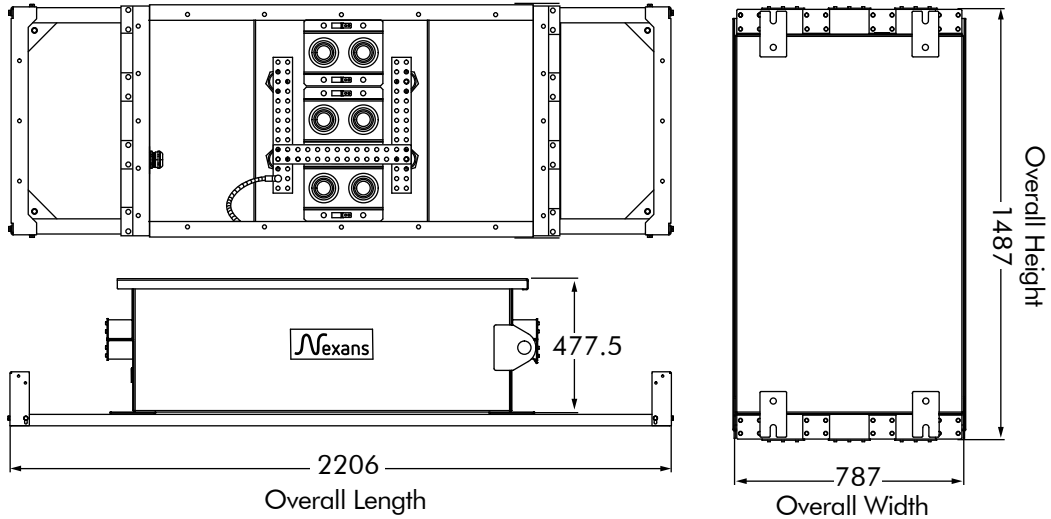
Underground Junction Chamber	Voltage Um (kV)	Outer dimensions of cabinet with base (w x d x h)(mm)	Installation	Outer cable dia (mm)	
				min	max
UJC-S	42	2206 x 805 x 503	Burial type	34	80

ENCLOSURES



* Note: Can be customized to 12 single core cables

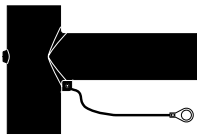
DIMENSIONS/FEATURES



ACCESSORIES

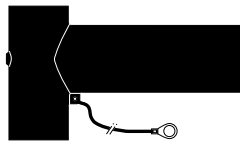
Connector type	Accessories	Conductor size (mm ²)		Current capacity (Amps)
		min	max	
M480TB/G + BIPA	Bushing extender + Bipa and cap	35	300	630
M484TB/G + BIPA	Bushing extender + Bipa and cap	35	630	1250
M489TB/G + BIPA	Bushing extender + Bipa and cap	630	1200	1250

Connector for cable sizes up to 300 mm²



Connector housing (K)(M)(P)480TB/G

Connector for cable sizes up to 630 mm²

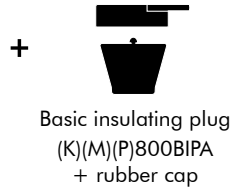
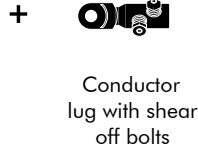
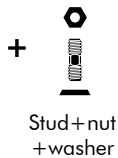


Connector housing (K)(M)(P)484TB/G

Connector for cable sizes up to 1200 mm²



Connector housing (K)(M)(P)489TB/G



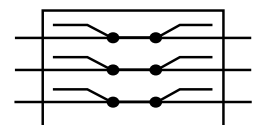
ARRANGEMENTS



Junction chamber can be equipped with different connectors. See catalogue pages for more details.



Possibility to add surge arresters to protect equipment from high voltage surges. See catalogue pages for more details.



Distributed by

Nexans Power Accessories Australia

Building 2/ 69 Dalton Road,
Thomastown, VIC, 3074 - Australia
Phone: +61 3 9205 8400
Email: nexans.salesnpaa@nexans.com
Web: www.nexans.com.au/poweraccessories

