

EUROMOLD®

MEDIUM VOLTAGE
SMART CONNECTORS & ADAPTERS
FOR ABB SENSORS

CATALOGUE 2021



COMPANY PRESENTATION



EUROMOLD

Euromold is the leading European specialised designer, manufacturer and distributor of prefabricated cable accessories for medium voltage energy distribution. Euromold provides a complete range of accessories for underground cables: premoulded EPDM rubber connectors for cables and epoxy bushings for transformers and switchgear, as well as a large range of cold-shrinkable terminations and joints from 12 to 42 kV. Euromold is also the manufacturer of electrical components for the high voltage accessories of the Nexans group.

ISO 9001 Certificate

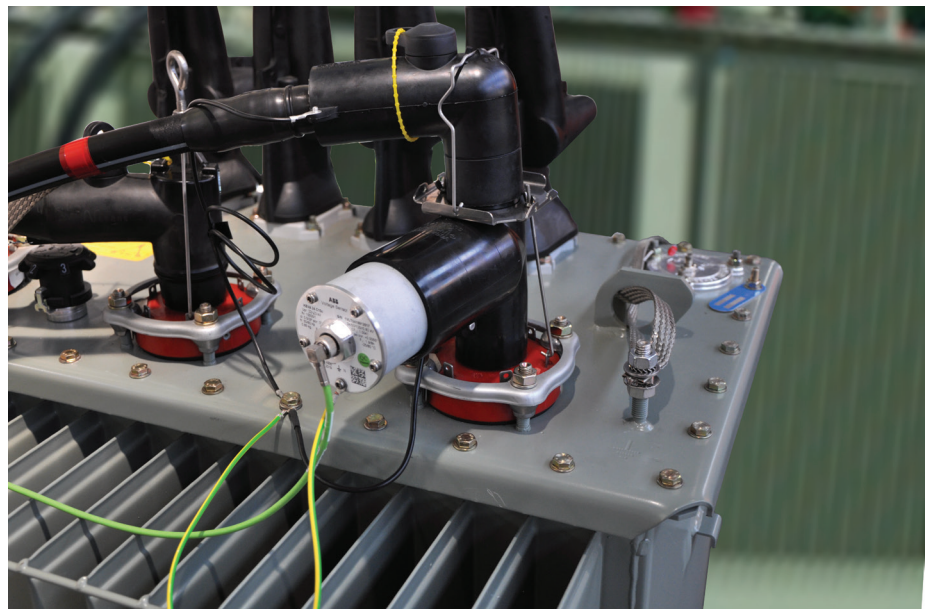
Since 1992, Euromold's commitment to quality is demonstrated by its ISO 9001 certification.

International standards

All our products meet the International standards like CENELEC HD 629.1, CENELEC EN 50180, IEC 60137, IEC 60502-4... or country specifications. Official certificates, CESI, KEMA, ATEX... prove the conformity of our products. Long duration tests of existing or new products are continuously performed in our test fields.

Laboratory accreditation

Since June 2000, Euromold's independent ELAB laboratory obtained the BELAC accreditation no.144-TEST conform with the European standards for laboratories ISO 17025 for electrical testing of low and medium voltage cable accessories according to the international standards EN 50393, IEC 60502-4, IEC 61442 and HD 629.



While every care is taken to ensure that the information contained in this publication is correct, no legal responsibility can be accepted for any inaccuracy. Nexans Network Solutions N.V. - Div. Euromold reserves the right to alter or modify the characteristics of its products described in this catalogue as standards and technology evolve.

MEDIUM VOLTAGE SMART CONNECTORS & ADAPTERS

TABLE OF CONTENTS

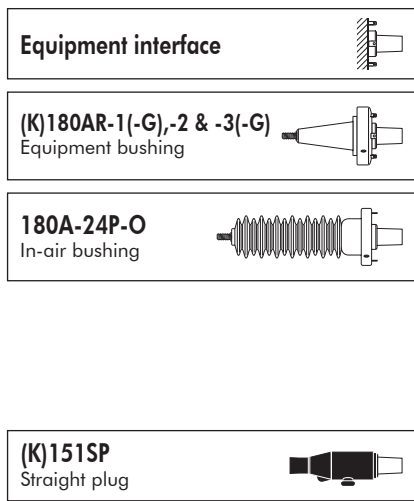
Interface A - Smart adapters

Interface C - Smart connectors

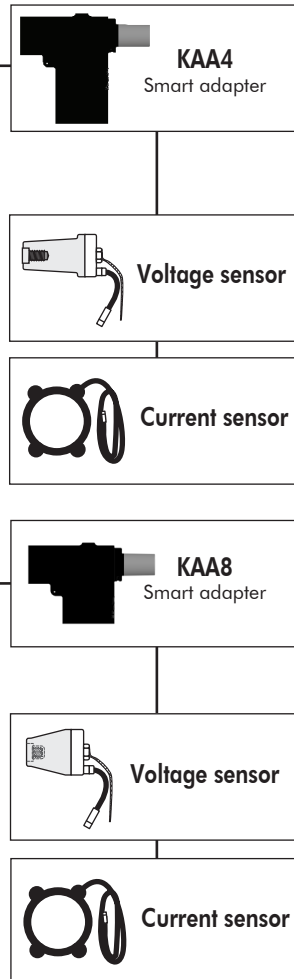
SMART ADAPTERS

CONNECTING POSSIBILITIES

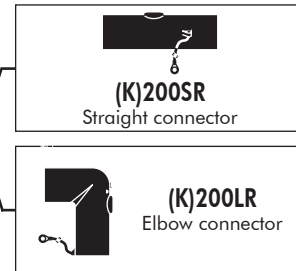
BUSHINGS / ACCESSORIES / CONNECTOR



SMART ADAPTER

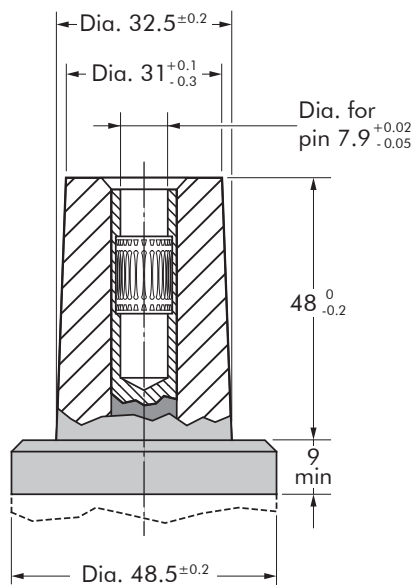


CONNECTORS / ACCESSORIES



INTERFACE A1

Dimensions according to European CENELEC EN 50180 and 50181 (in mm).



KAAx SMART ADAPTER WITH ABB KEVA/KECA SENSORS

INTERFACE A SMART ADAPTER

APPLICATION

Intelligent adapter factory fitted with voltage sensor enabling a unique solution for voltage measurement.

Designed for easy installation on MV/LV transformers, for new implantations or retrofiting, and requiring no cable modification.

To be used with Interface A 250 A separable connectors and equipment bushings.

Sensor can be interfaced with any IEC 61869-10 and IEC 61869-11 complaint Intelligent Electronic Device (IED) for protection and monitoring or other compatible application.

DESIGN

Smart Adapter comprising:

1. Conductive EPDM insert.
2. Conductive EPDM jacket.
3. Insulating EPDM layer.
4. Type A interface as described by CENELEC EN 50180 and 50181.
5. Conductor contact.
6. Earthing lead.
7. ABB KEVA voltage sensor.
8. Sensor secondary cable.

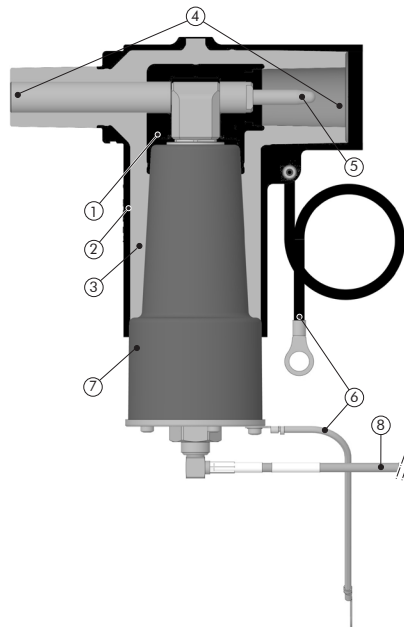
SPECIFICATIONS AND CABLE STANDARDS

The KAA smart adapter meets the requirements of CENELEC HD 629.1.

The KEVA and KECA sensors meet the requirements of IEC61869-10 and -11.

TECHNICAL CHARACTERISTICS

- High combined accuracy class of 0.5/3P for voltage measurement and 0.5/5P630 for current measurement.
- Fully certified mechanical and electrical assembly supported by joint qualification according to HD629.1.
- Each adapter assembly is tested for AC withstand and partial discharge prior to leaving the factory.



6/10 (12) kV
 6.35/11 (12) kV
 8.7/15 (17.5) kV
 12/20 (24) kV
 12.7/22 (24) kV

Up to 24 kV - 250 A

EUROMOLD®

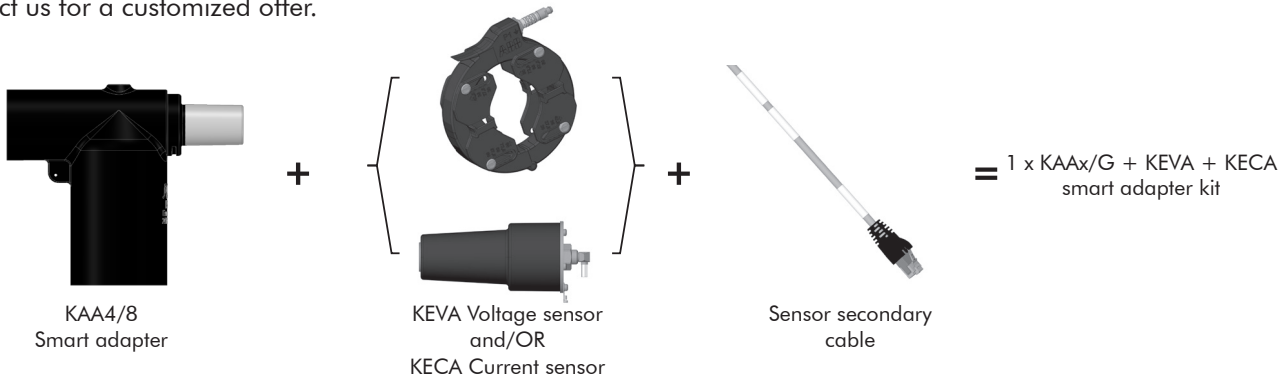
Smart adapter model	Voltage measurement			Current measurement		
	Model	Voltage Um (kV)	Type	Model	Max Application Current (A)	Type
KAA4	KEVA 24 C10	up to 24 kV	Resistive divider	KECA 80 D85	4000	Split core Rogowski
	KEVA 24 C10c		Resistive divider, conductive surface			
KAA8	KEVA 24 C2 4.1		Resistive divider			
	KEVA 24 C2 4.1c		Resistive divider, conductive surface			

06/2021

KIT CONTENTS

Kit configuration may change for different applications, please contact us for a customized offer.

The kit also comprises lubricant, wipers and installation instructions.



ORDERING INSTRUCTIONS

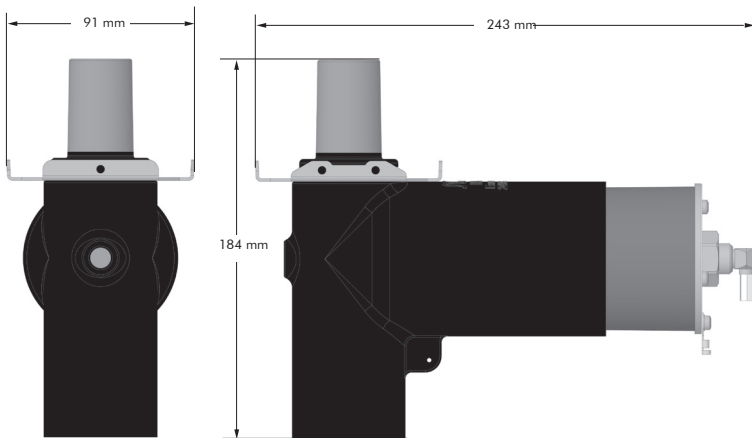
To order the right adapter or sensor for your application, refer to their specific catalog pages.

SENSOR ASSEMBLY

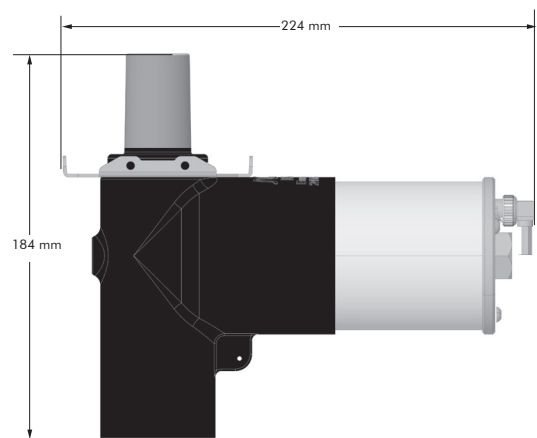
Current sensor KECA 80 D85 shall be installed on shielded cable using a clamping system which allows assembly on different diameters of MV cable. Voltage sensors KEVA C are assembled in place of the insulating plug in cable connectors.

Characteristic	Voltage sensor	Current sensor
		Split core
Model	KEVA 24 Cxx	KECA 80 D85
Rated primary voltage/current	up to 22/ $\sqrt{3}$ kV	80A
Rated frequency	50/60Hz	
Accuracy class	0,5/3P	0,5P/5P630
Rated burden	2M Ω / 50pF or 200k Ω / 350pF	2M Ω / 50pF
Rated transformation ratio	1:10000 V/V or 3.25 V/ $\sqrt{3}$ kV	80A/150mV @50Hz 80A/180mV @60Hz
Inner diameter	-	85 mm
Secondary cable length	5 m	
Plug type	RJ45 or open 2-pins	RJ45

LAYOUT



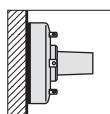
KAA4+KEVA 24 C10



KAA8+KEVA 24 C2 4.1C



Rated voltage
12/20 (24) kV



Interface A
(250A)



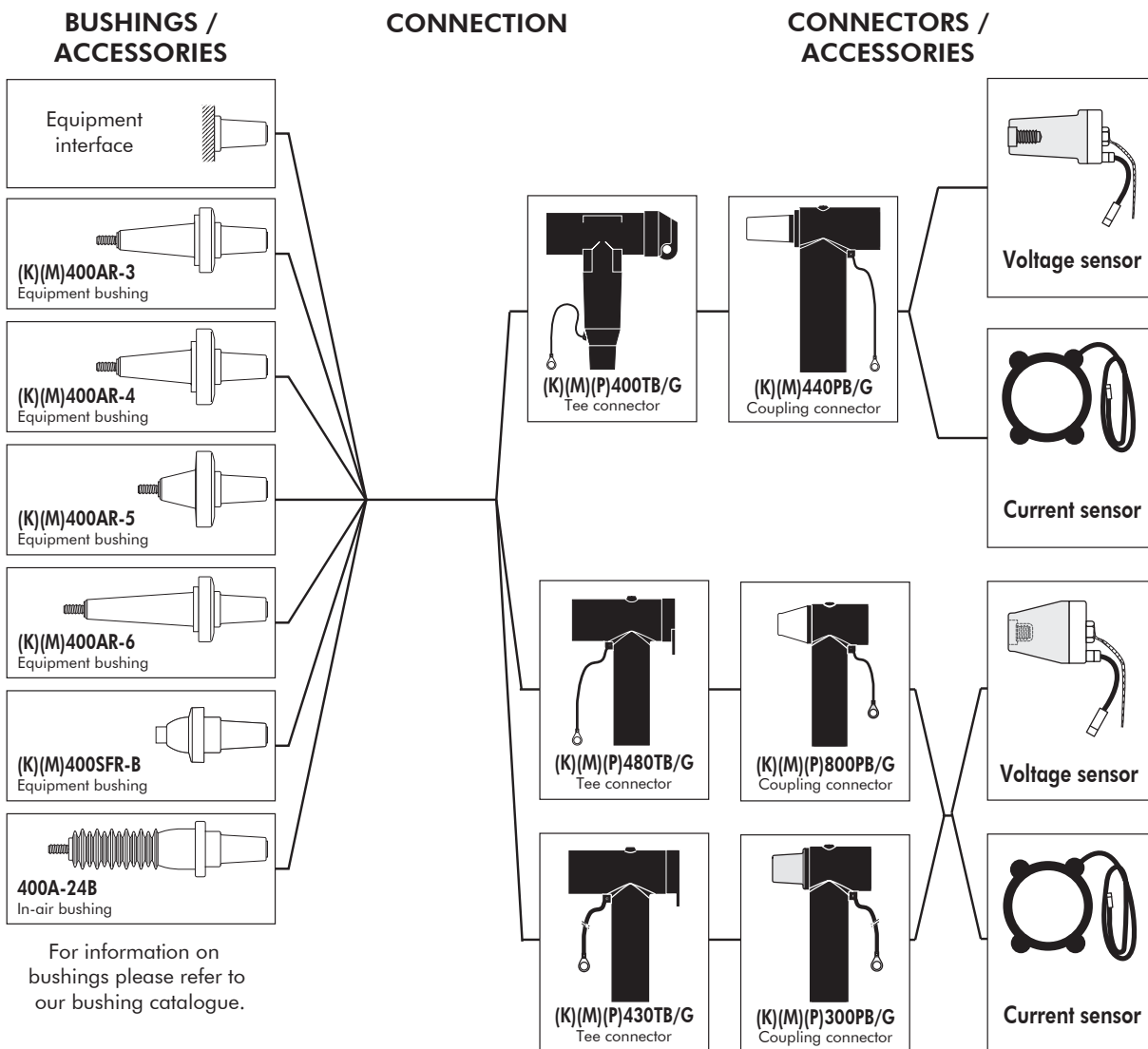
For other cables length and custom applications. Please contact our representative.



Components can be ordered individually.

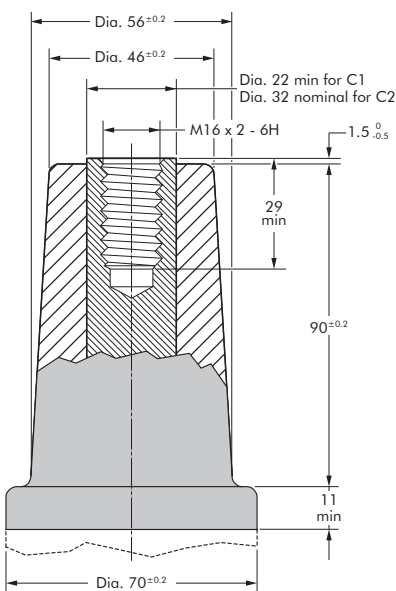
SMART CONNECTORS

CONNECTING POSSIBILITIES



INTERFACE C1 & C2

Dimensions according to European CENELEC EN 50180 and 50181 (in mm).



In mm.

400/440TB & 440PB WITH ABB KEVA/KECA

INTERFACE C SMART CONNECTOR

APPLICATION

Voltage and/or current measurement sensors on medium voltage connectors attached to equipment (transformers, switchgear, motors,...). Sensor can be interfaced with any IEC 61869-10 and IEC 61869-11 compliant Intelligent Electronic Device (IED) for protection and monitoring or other compatible application.

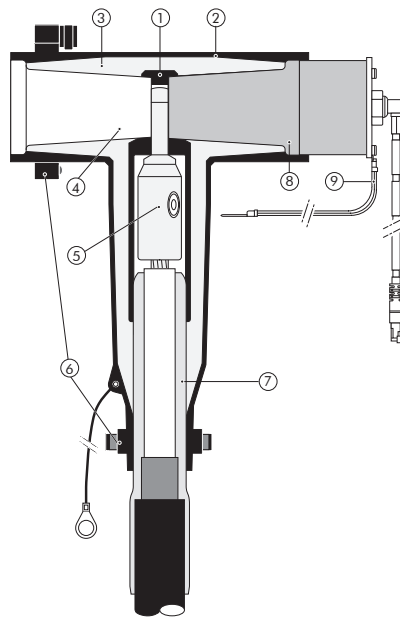
DESIGN

Separable connector comprising:

1. Conductive EPDM insert.
2. Conductive EPDM jacket.
3. Insulating EPDM layer.
4. Type C interface as described by CENELEC EN 50180 and 50181.
5. Conductor contact.
6. ABB KECA current sensor.
7. Cable reducer.
8. ABB KEVA voltage sensor.
9. Earthing lead.

TECHNICAL CHARACTERISTICS

- High combined accuracy class of 0.5/3P for voltage measurement and 0.5/5P630 for current measurement.
- Fully certified mechanical and electrical assembly supported by joint qualification according to HD629.1.



6/10 (12) kV
 6.35/11 (12) kV
 8.7/15 (17.5) kV
 12/20 (24) kV
 12.7/22 (24) kV

Up to 24 kV - 630 A

EUROMOLD®

SPECIFICATIONS AND STANDARDS

The 400TB separable connector meets the requirements of CENELEC HD 629.1.

The KEVA and KECA sensors meet the requirements of IEC61869-10 and -11.

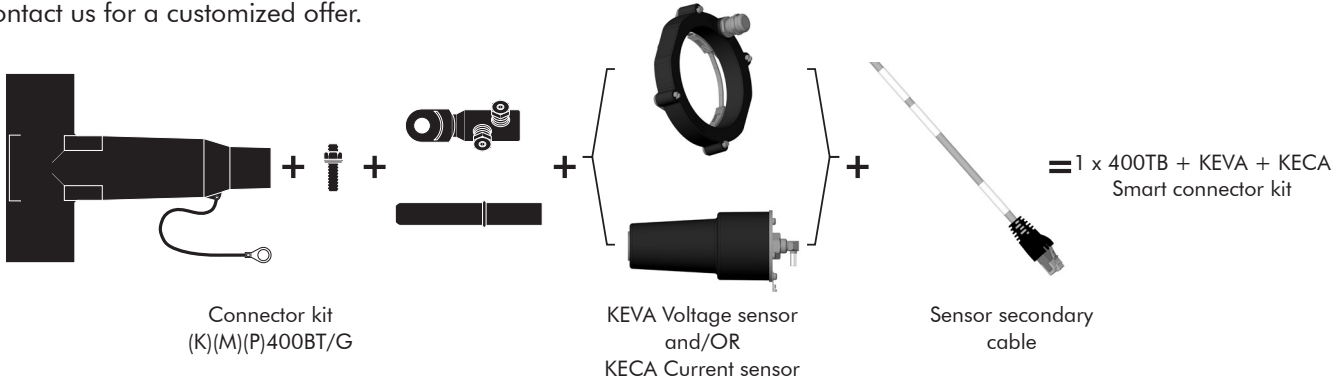
Connector model	Voltage measurement			Current measurement		
	Model	Voltage Um (kV)	Type	Model	Max application current (A)	Type
(K)400TB/G 400PB-10SA	KEVA 24 C10	Up to 24	Resistive divider	KECA 80 C85	4000	Closed core Rogowski
	KEVA 24 C10c		Resistive divider, conductive surface	KECA 80 D85		Split core Rogowski
(K)440TB/G (K)440PB/G	KEVA 24 C10	Up to 24	Resistive divider	KECA 80 D85	4000	Split core Rogowski
	KEVA 24 C10c		Resistive divider, conductive surface			

06/2021

KIT CONTENTS

Kit configuration may change for different applications, please contact us for a customized offer.

The kit also comprises lubricant, wipers, installation instructions and crimp chart.



ORDERING INSTRUCTIONS

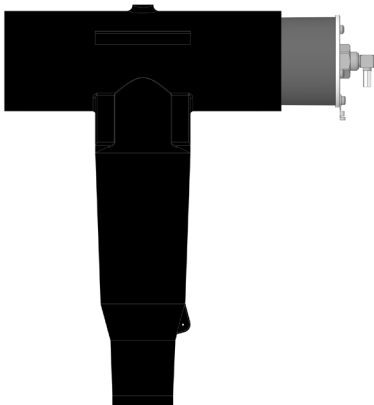
To order the right connector or sensor for your application, refer to the specific catalog pages.

SENSOR ASSEMBLY

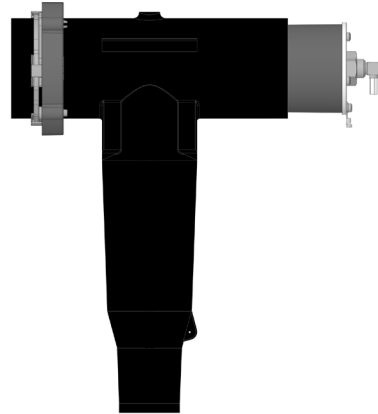
Current sensor KECA 80 C85 shall be installed on shielded head of cable connector using clamping system. Current sensor KECA 80 D85 shall be installed on shielded cable using a clamping system which allows assembly on different diameters of MV cable. Voltage sensors KEVA C are assembled in place of the insulating plug in cable connectors.

Characteristic	Voltage sensor	Current sensor	
		Split core	Closed core
Model	KEVA 24 Cxx	KECA 80 D85	KECA 80 C85
Rated primary voltage/current	up to 22/ $\sqrt{3}$ kV	80A	
Rated frequency	50/60Hz		
Accuracy class	0,5/3P	0,5P/5P630	
Rated burden	2M Ω / 50pF or 200k Ω / 350pF	2M Ω / 50pF	
Rated transformation ratio	1:10000 V/V or 3.25 V/ $\sqrt{3}$ kV	80A/150mV @50Hz 80A/180mV @60Hz	
Inner diameter	-	85 mm	
Secondary cable length	5 m		
Plug type	RJ45 or open 2-pins	RJ45	

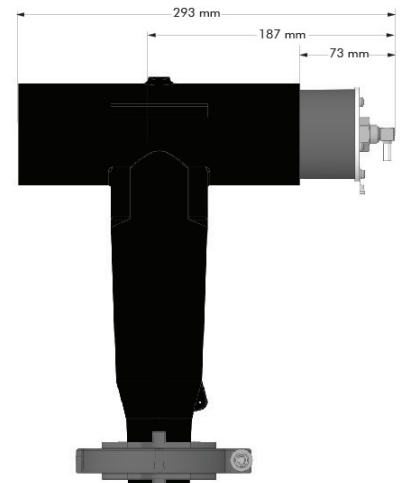
LAYOUT



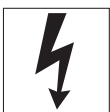
400TB+KEVA 24 C10



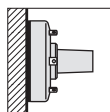
400TB+KEVA 24 C10 + KECA 80 C85



400TB+KEVA 24 C10 + KECA 80 D85



Rated voltage
12/20 (24) kV



Interface C
(630A)



For other cables length and custom applications. Please contact our representative.



Components can be ordered individually.

APPLICATION

Voltage and/or current measurement sensors on medium voltage connectors attached to equipment (transformers, switchgear, motors,...). Sensor can be interfaced with any IEC 61869-10 and IEC 61869-11 compliant Intelligent Electronic Device (IED) for protection and monitoring or other compatible application.

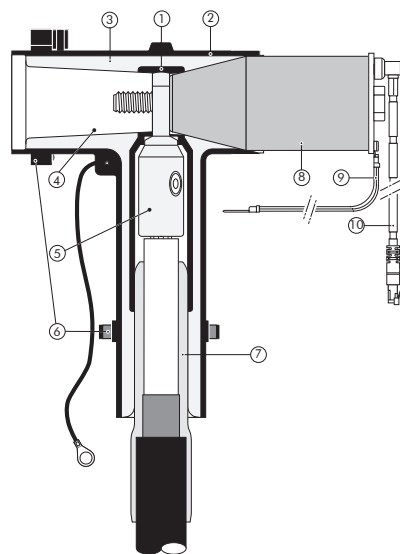
DESIGN

Separable connector comprising:

1. Conductive EPDM insert.
2. Conductive EPDM jacket.
3. Insulating EPDM layer
4. Type C interface as described by CENELEC EN 50180 and 50181.
5. Conductor contact.
6. ABB KECA current sensor.
7. Cable reducer.
8. ABB KEVA voltage sensor.
9. Earthing lead.
10. Sensor secondary cable.

TECHNICAL CHARACTERISTICS

- High combined accuracy class of 0.5/3P for voltage measurement and 0.5/5P630 for current measurement.
- Fully certified mechanical and electrical assembly supported by joint qualification according to HD629.1.



6/10 (12) kV
 6.35/11 (12) kV
 8.7/15 (17.5) kV
 12/20 (24) kV
 12.7/22 (24) kV
 18/30 (36) kV
 19/33 (36) kV
 20.8/36 (42) kV

Up to 42 kV - 630 A

EUROMOLD®

SPECIFICATIONS AND STANDARDS

The 480TB separable connector meets the requirements of CENELEC HD 629.1.S2.

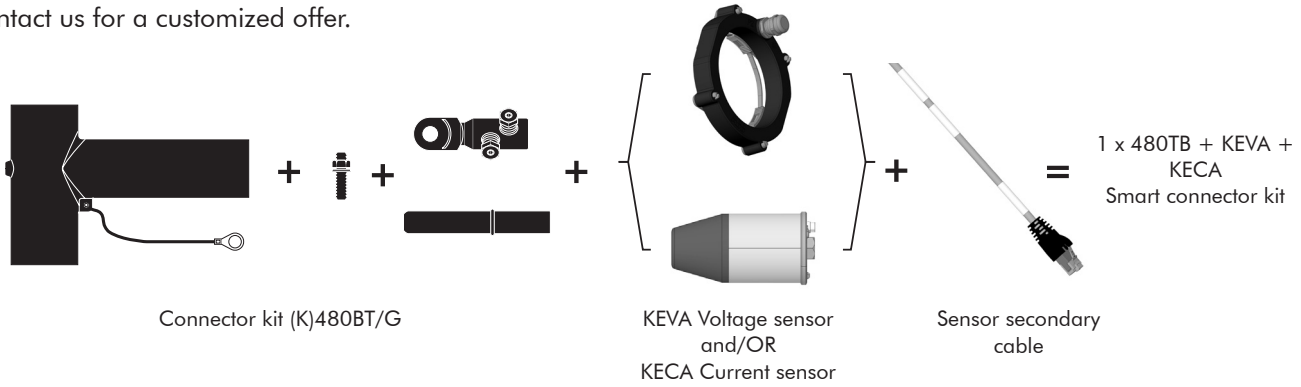
The KEVA and KECA sensors meet the requirements of IEC61869-10 and -11.

Connector model	Voltage measurement			Current measurement		
	Model	Voltage Um (kV)	Type	Model	Max application current (A)	Type
(K)(M)(P)480TB/G	KEVA 24 C2 4.1	Up to 24	Resistive divider	KECA 80 C85	4000	Closed core Rogowski
(K)(M)(P)484TB/G	KEVA 24 C2 4.1c		with conductive surface			
(K)(M)(P)489TB/G	KEVA 36 C2 4.1	Up to 36	Resistive divider	KECA 80 D85	4000	Split core Rogowski
(K)(M)(P)800PB/G	KEVA 36 C2 4.1c		with conductive surface			
(K)(M)(P)804PB/G	KEVA 40.5 C2 4.1	Up to 42	Resistive divider	KECA 80 D85	4000	Split core Rogowski
(K)(M)(P)809PB/G 800SA	KEVA 40.5 C2 4.1c		with conductive surface			

KIT CONTENTS

Kit configuration may change for different applications, please contact us for a customized offer.

The kit also comprises lubricant, wipers, installation instructions and crimp chart.



ORDERING INSTRUCTIONS

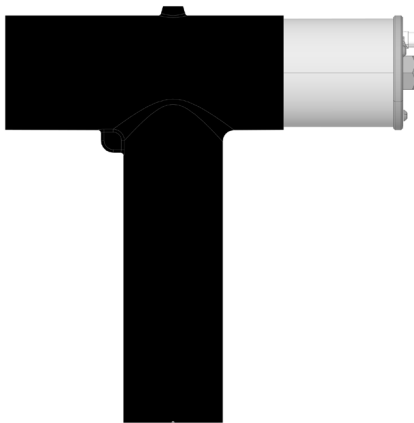
To order the right connector or sensor for your application, refer to the specific catalog pages.

SENSOR ASSEMBLY

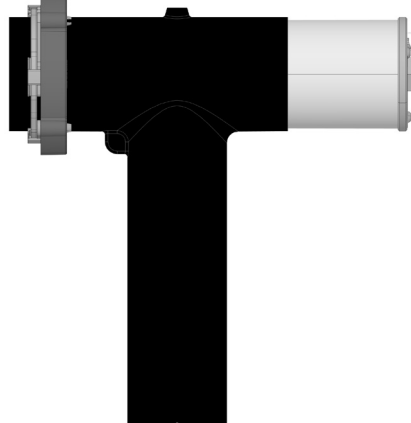
Current sensor KECA 80 C85 shall be installed on shielded head of cable connector using clamping system. Current sensor KECA 80 D85 shall be installed on shielded cable using a clamping system which allows assembly on different diameters of MV cable. Voltage sensors KEVA C are assembled as would an insulating plug in cable connectors.

Characteristic	Voltage sensor	Current sensor	
		Split core	Closed core
Model	KEVA 24/36/42 Cxx	KECA 80 D85	KECA 80 C85
Rated primary voltage/current	up to 40.5/√3 kV	80A	
Rated frequency	50/60Hz		
Accuracy class	0,5/3P	0,5P/5P630	
Rated burden	2M Ω / 50 pF		
Rated transformation ratio	1:10000 V/V	80A/150mV @50Hz 80A/180mV @60Hz	
Inner diameter	-	85 mm	
Secondary cable length	5 m		
Plug type	RJ 45		

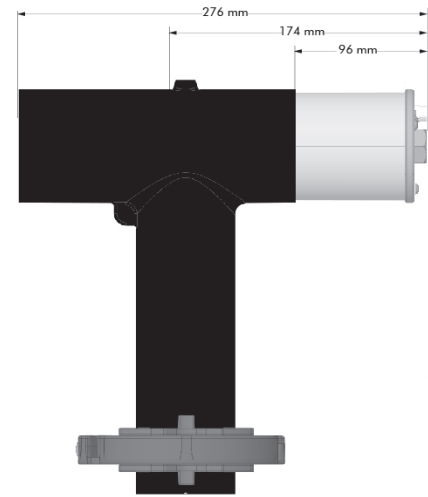
LAYOUT



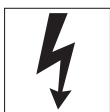
480TB+KEVA 24 C2 4.1c



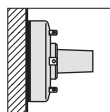
480TB+KEVA 24 C2 4.1c+KECA 80 C85



480TB+KEVA 24 C2 4.1c+KECA 80 D85



Rated voltage
12/20 (24) kV



Interface C
(630A)



For other cables length and custom applications. Please contact our representative.



Components can be ordered individually.

430TB & 300PB WITH ABB KEVA/KECA

INTERFACE C SMART CONNECTOR

APPLICATION

Voltage and/or current measurement sensors on medium voltage connectors attached to equipment (transformers, switchgear, motors,...). Sensor can be interfaced with any IEC 61869-10 and IEC 61869-11 compliant Intelligent Electronic Device (IED) for protection and monitoring or other compatible application.

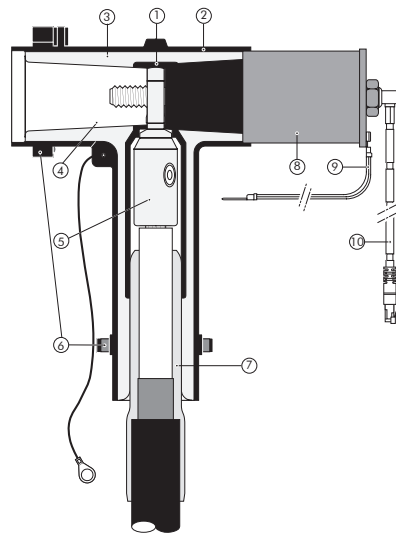
DESIGN

Separable connector comprising:

1. Conductive EPDM insert.
2. Conductive EPDM jacket.
3. Insulating EPDM layer
4. Type C interface as described by CENELEC EN 50180 and 50181.
5. Conductor contact.
6. ABB KECA current sensor.
7. Cable reducer.
8. ABB KEVA voltage sensor.
9. Earthing lead.
10. Sensor secondary cable.

TECHNICAL CHARACTERISTICS

- High combined accuracy class of 0.5/3P for voltage measurement and 0.5/5P630 for current measurement.
- Fully certified mechanical and electrical assembly supported by joint qualification according to HD629.1.



6/10 (12) kV
 6.35/11 (12) kV
 8.7/15 (17.5) kV
 12/20 (24) kV
 12.7/22 (24) kV

Up to 24 kV - 630 A

EUROMOLD®

SPECIFICATIONS AND STANDARDS

The 430TB separable connector meets the requirements of CENELEC HD 629.1.

The KEVA and KECA sensors meet the requirements of IEC61869-10 and -11.

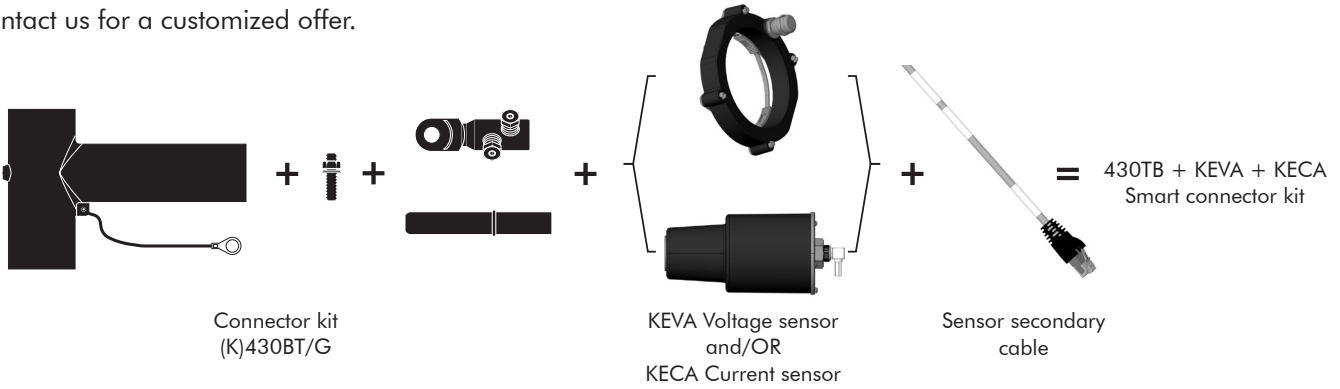
Connector model	Voltage measurement			Current measurement		
	Model	Voltage U_m (kV)	Type	Model	Max application current (A)	Type
(K)430TB/G (K)300PB/G 300SA	KEVA 24 C24	Up to 24	Resistive divider	KECA 80 C85	4000	Closed core Rogowski
	KEVA 24 C24c		Resistive divider conductive surface	KECA 80 D85		Split core Rogowski

06/2021

KIT CONTENTS

Kit configuration may change for different applications, please contact us for a customized offer.

The kit also comprises lubricant, wipers, installation instructions and crimp chart.



ORDERING INSTRUCTIONS

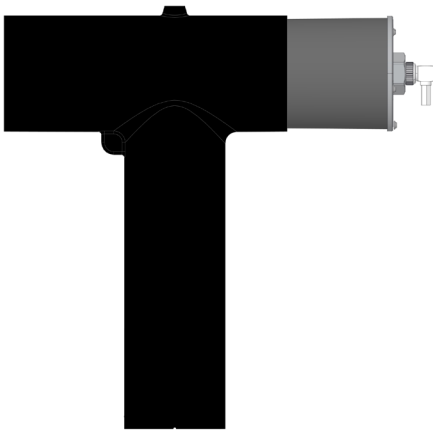
To order the right connector or sensor for your application, refer to the specific catalog pages.

SENSOR ASSEMBLY

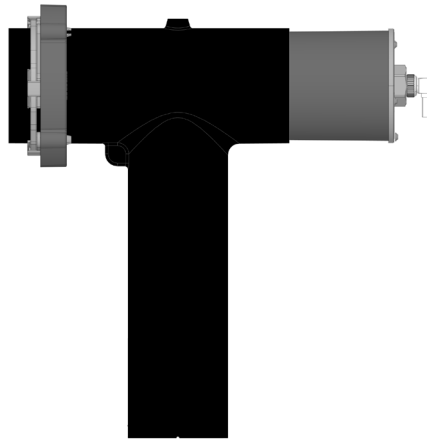
Current sensor KECA 80 C85 shall be installed on shielded head of cable connector using clamping system. Current sensor KECA 80 D85 shall be installed on shielded cable using a clamping system which allows assembly on different diameters of MV cable. Voltage sensors KEVA C are assembled as would an insulating plugs in cable connectors.

Characteristic	Voltage sensor	Current sensor	
		Split core	Closed core
Model	KEVA 24 Cxx	KECA 80 D85	KECA 80 C85
Rated primary voltage/current	up to 22/ $\sqrt{3}$ kV	80A	
Rated frequency	50/60Hz		
Accuracy class	0,5/3P	0,5P/5P630	
Rated burden	2M Ω / 50pF or 200k Ω / 350pF	2M Ω / 50pF	
Rated transformation ratio	1:10000 V/V or 3.25 V/ $\sqrt{3}$ kV	80A/150mV @50Hz 80A/180mV @60Hz	
Inner diameter	-	85 mm	
Secondary cable length	5 m		
Plug type	RJ45 or open 2-pins	RJ45	

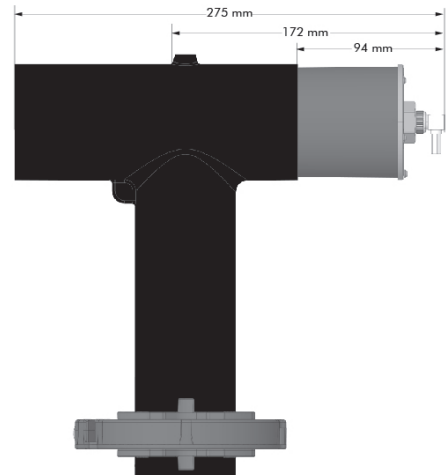
LAYOUT



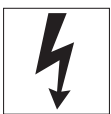
430TB+KEVA 24 C24



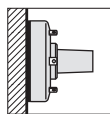
430TB+KEVA 24 C24 + KECA 80 C85



430TB+KEVA 24 C24 + KECA 80 D85



Rated voltage
12/20 (24) kV



Interface C
(630A)



For other cables length and custom applications. Please contact our representative.



Components can be ordered individually.



Nexans Network Solutions N.V. - Div. Euromold
Zuid III, Industrielaan 12, B-9320 Erembodegem
Tel.: +32(0)53 85 02 11 • sales.euromold@nexans.com • www.euromold.be

Catalogue also available on Website and Mobile Apps



Find out more about Nexans Power Accessories.