

# (K)(M)(P)909TB

## INTERFACE F TEE CONNECTOR

### APPLICATION

Separable tee shape connector (bolted type) designed to connect polymeric insulated cable to equipment (transformers, switchgear, motors, ...). Also connects cable to cable when using the appropriate mating parts.

### TECHNICAL CHARACTERISTICS

- The thick conductive EPDM jacket provides a total safe to touch screen which ensures safety for personnel.
- Each separable connector is tested for AC withstand and partial discharge prior to leaving the factory.

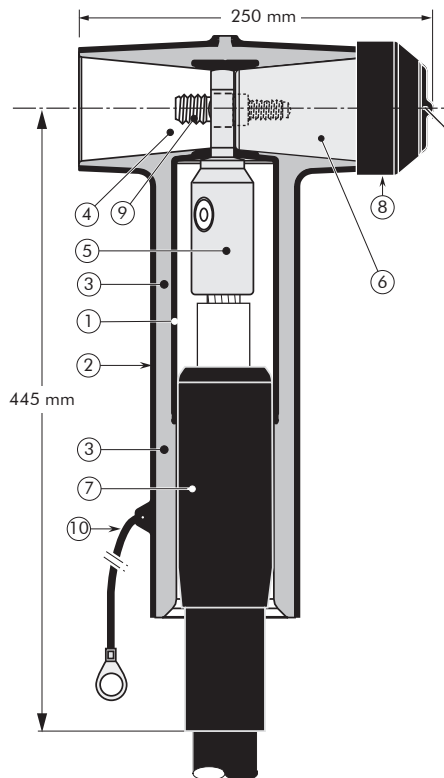


### DESIGN

Separable connector comprising:

1. Conductive EPDM insert.
2. Conductive EPDM jacket.
3. Insulating EPDM layer moulded between the insert and the jacket.
4. Type F - interface, as described by CENELEC EN 50180 and 50181.
5. Conductor contact.
6. Basic insulating plug.
7. Cable reducer.
8. Conductive rubber cap.
9. Stud+nut+washer.
10. Earthing lead.

The screen break design enables cable outer sheath testing without removing or dismantling the connector.



6/10 (12) kV  
6.35/11 (12) kV  
8.7/15 (17.5) kV  
12/20 (24) kV  
12.7/22 (24) kV  
18/30 (36) kV  
19/33 (36) kV  
20.8/36 (42) kV

**Up to 42 kV - 2500 A**

**EUROMOLD®**

### SPECIFICATIONS AND STANDARDS

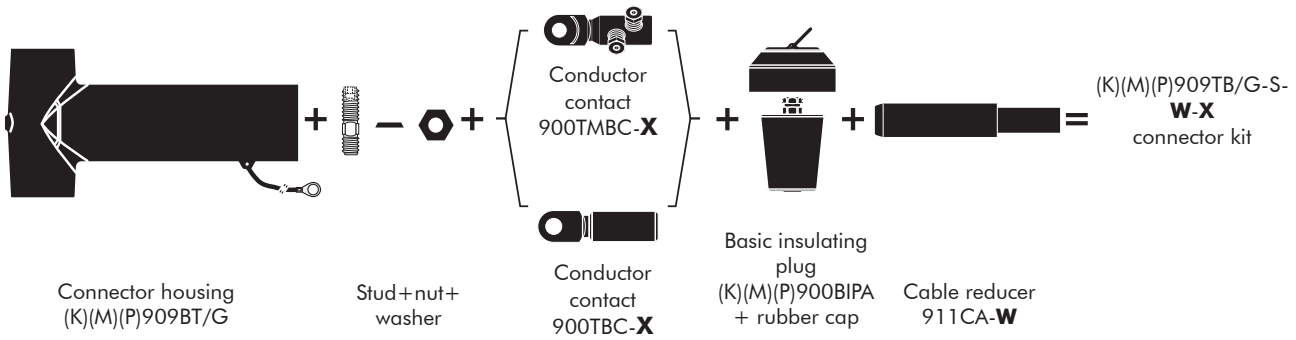
The 909TB separable connector meets the requirements of CENELEC HD 629.1.

Separable connector type	Voltage $U_m$ (kV)	Current $I_r$ (A)	Conductor sizes (mm <sup>2</sup> )	
			min	max
909TB/G	12	630 - 1250 - 2500	500	1200
K909TB/G	24	630 - 1250 - 2500	400	1200
M909TB/G	36	630 - 1250 - 2500	240	1200
P909TB/G	42	630 - 1250	240	1200

05/2017

## KIT CONTENTS

The complete (K)(M)(P)909TB/G tee connector kit comprises the following components:



The kit also comprises silicone grease, field control mastic, gloves, roll adhesive tape, installation instructions and crimp chart.

## ORDERING INSTRUCTIONS

To order the tee connector, select the ordering part number which gives the best centring of the core insulation diameter and substitute **X** using table X, according to the conductor size and type. Add a 'K' for use up to 24 kV, add an 'M' for use up to 36 kV, add a 'P' for use up to 42 kV.

### EXAMPLE:

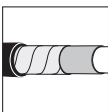
The copper wire screened cable is 36 kV, 1000 mm<sup>2</sup> stranded aluminium with a diameter over core insulation of 52 mm. Order M909TB/G-S-43-1000AL1 tee connector kit.

TABLE W

Ordering part number	Dia. over core insulation (mm)	
	min	max
909TB/G-S-32-X	35	43
909TB/G-S-37-X	40	48
909TB/G-S-43-X	46	54
909TB/G-S-50-X	53	59
909TB/G-S-53-X	56	62
909TB/G-S-56-X	59	65
909TB/G-S-59-X	62	68

TABLE X

Conductor sizes (mm <sup>2</sup> )	Aluminium conductor		Aluminium and copper conductor	Copper conductor
	Deep indent	DIN hexagonal	Bolted	DIN hexagonal
240	240AL1	240AL2	<b>240.300UN5</b>	240CU2
300	300AL1	300AL2		300CU2
400	400AL1	400AL2		400CU2
500	500AL1	500AL2	<b>400.630UN5</b>	500CU2
630	630AL1	630AL2		630CU2
800	800AL1	-	<b>800.1000UN5</b>	800CU2
1000	1000AL1	-		1000CU2
1200	1200AL1	-	On request	-



For use with copper tape screened cables. Order: Kit MT.



For applications outdoors and in humid climate. Order: +MWS.



For use with other cable types. Please contact our representative.



For use in potentially explosive atmospheres (for 12 kV max). Add -/ATEX to part number.



Components can be ordered individually.



When installed on an appropriate equipment bushing: 2500 A in dual cable arrangement